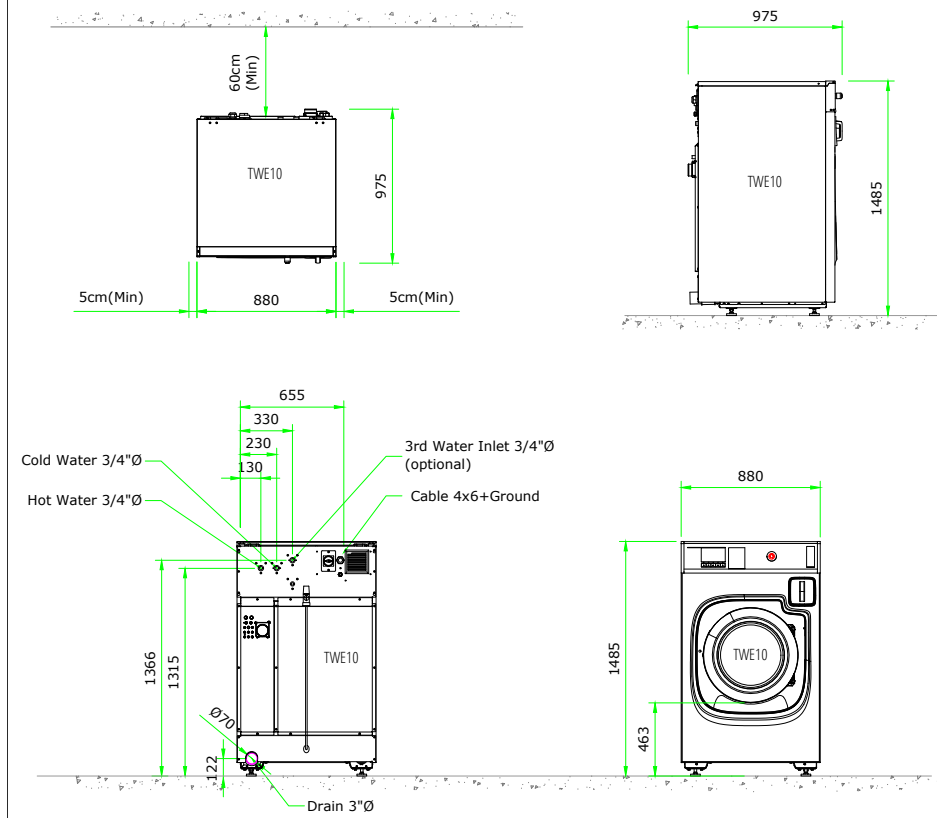
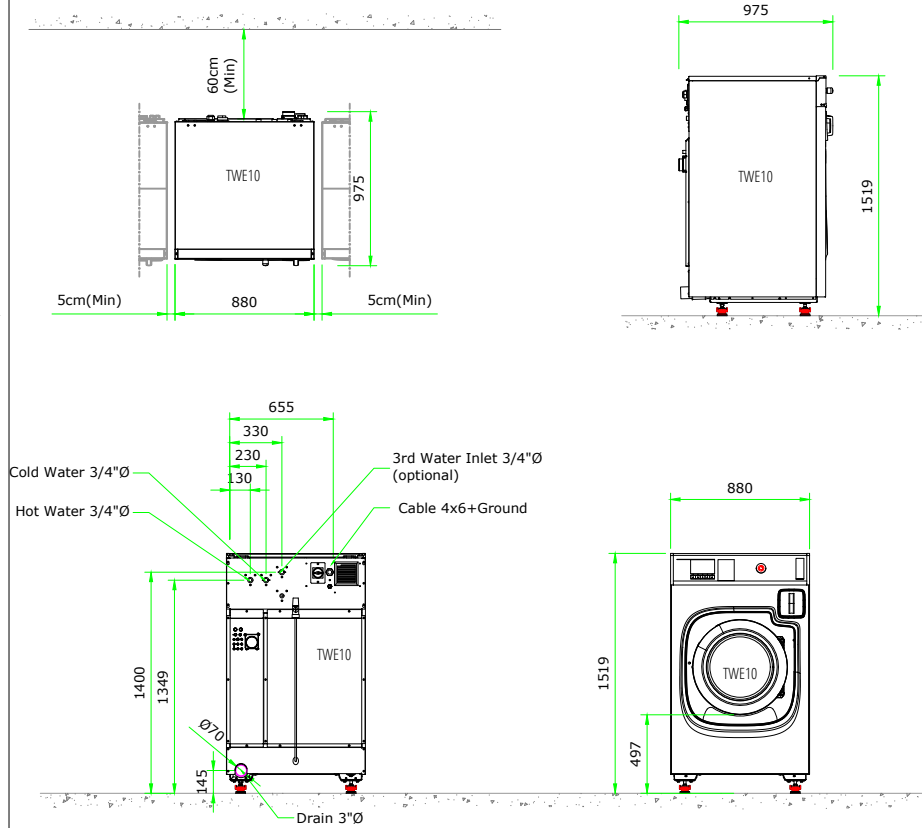


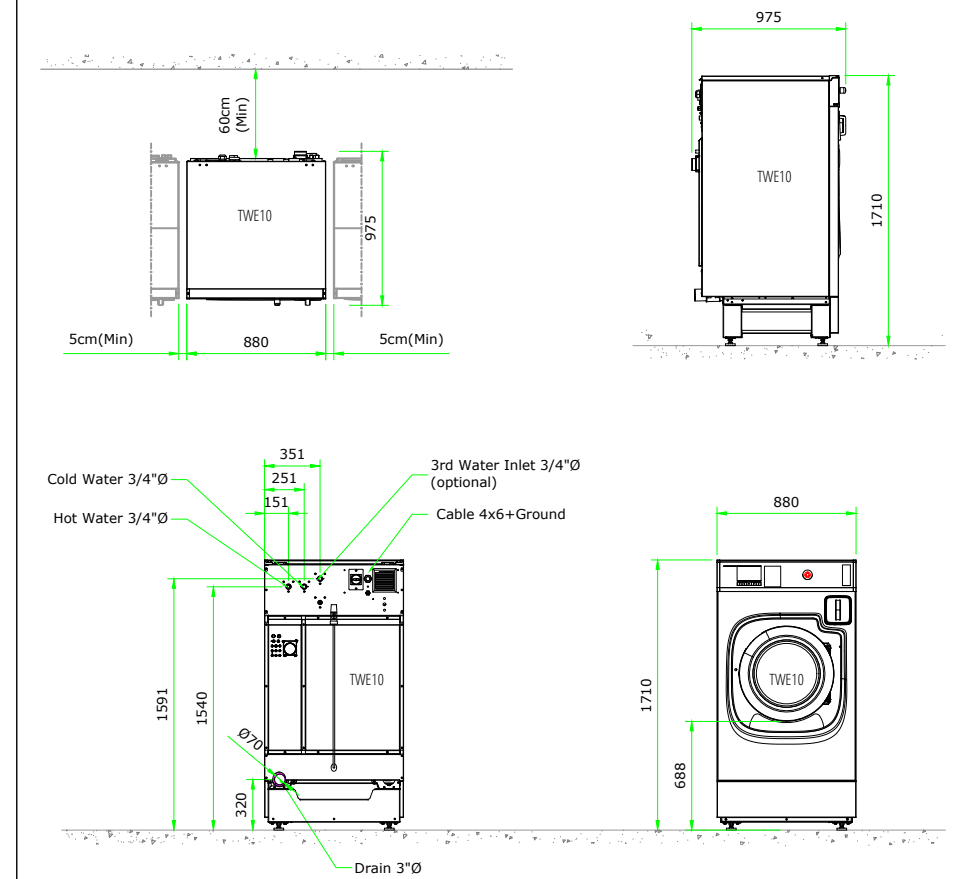
TWE10 ELECTRIC HEATED STANDARD



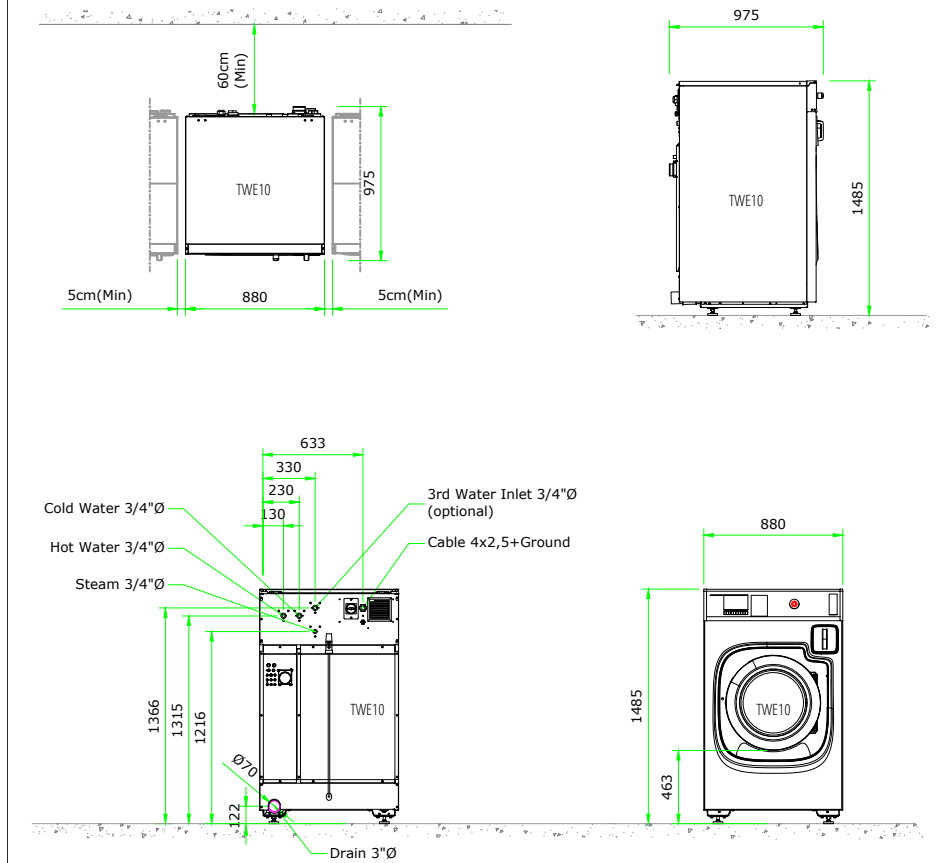
TWE10 ELECTRIC HEATED EXTENSION FEET



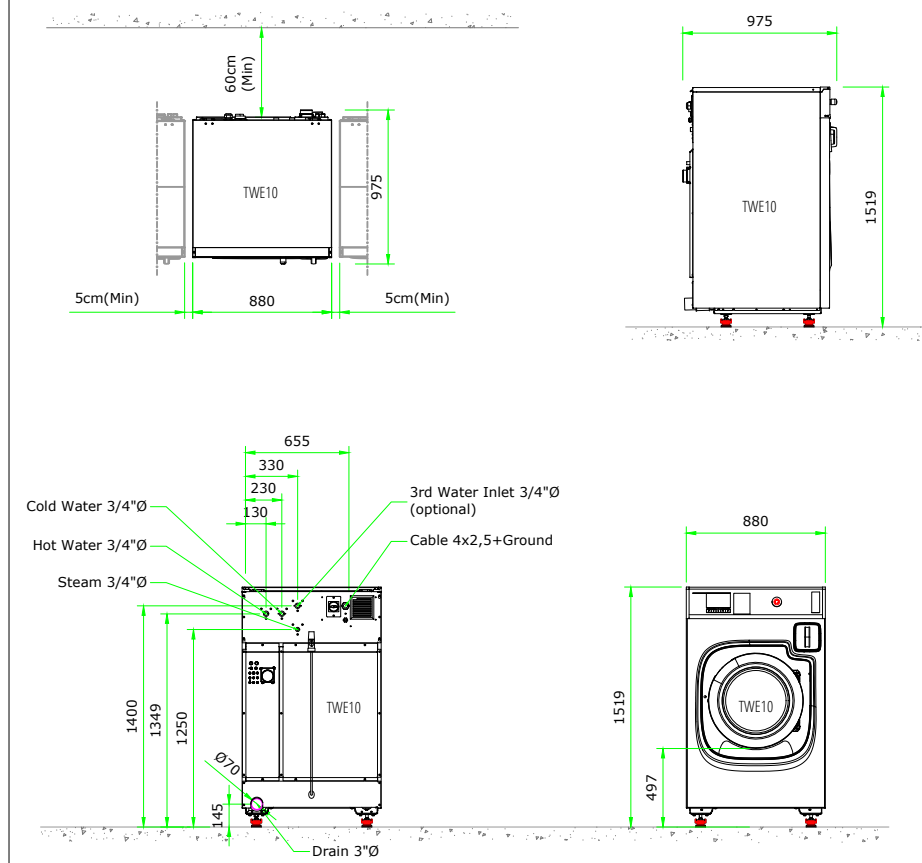
TWE10 ELECTRIC HEATED PLINTH



TWE10 STEAM HEATED STANDARD



TWE10 STEAM HEATED EXTENSION FEET



TWE10 STEAM HEATED PLINTH

