



Catalogue
FOOD SERVICE
Chapter
COOKING

Specific model
MF-E705 230V 1N

19072598

04/09/2023

DENOMINATION:

Electric chips scuttle, half module, 700 range.

DESCRIPTION :

- "- Laser-cut joints, automatic welding and polishing. Hidden screws.
- Lever system to raise the well. The well can be raised until it is vertical to completely drain it.
- Entire machine structure made of stainless steel.
- Well designed with rounded corners and no edges, with a large opening for unloading to facilitate all cooking and cleaning operations.
- The great thickness of the well base (10 mm) guarantees even heat distribution.
- Well filled with water through a solenoid valve which is operated by a switch on the front of the machine. The filling pipe is located at the back of the machine.
- Double-walled lid with a draining rack at the back to redirect condensation water towards the well interior.
- The closed lid is the same height as surface tops of the range and since it does not require any protruding element or reinforcement, it can be used as a worktop.
- Compensation system to prevent sharp falls.
- Front access lid handle.
- "

POSSIBLE OPTIONS :

- 230 1N- Transformation A 230 V single phase
- 230 III - A 230 V three-phase transformation without neutral
- MARINE - Other machines - Ship transformation - 440 III

POSSIBLE ACCESSORIES :

- ACCESSORIES KORE
- STANDS 700
- TALL CHIMNEY KORE

DIMENSIONS



X Width	400 mm	X Gross width	440 mm
Y Depth	730 mm	Y Gross depth	822 mm
Z Height	490 mm	Z Gross height	685 mm
Net Weight	22,0 kg	Gross Weight	30,0 kg
Net volume	0,140 m3	Gross volume	0,248 m3

ELECTRICITY TECHNICAL SPECIFICATIONS

Electric power	1,000 kW
Amperage (A)	4,3A
Heating power	1,00 kW
Voltage	230V - 1N
Electric frequency	50/60Hz

CONNECTIONS TECHNICAL SPECIFICATIONS

230 V three-phase wiring	3X1,5MM2+T
Single-phase 230V wiring	2X1,5MM2+T



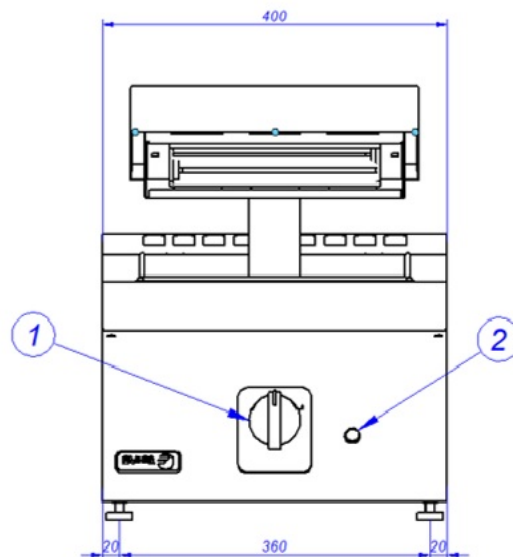
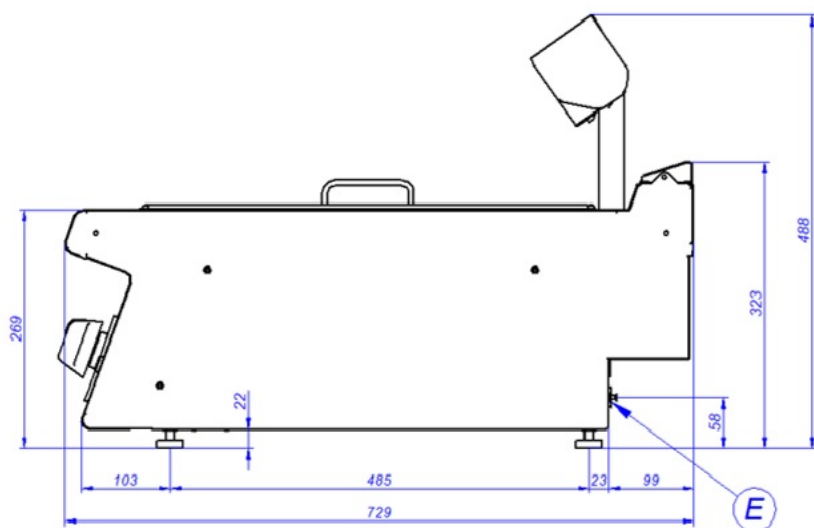
Catalogue
FOOD SERVICE
Chapter
COOKING

Specific model
MF-E705 230V 1N

19072598

04/09/2023

MF-E705



E – Conexión eléctrica
1. Mando eléctrico
2 – Piloto ámbar

Electrical connection
Electric control
Amber pilot

Connexion électrique
Commande électrique
Lumière ambre