



Catalogue
FOOD SERVICE
Chapter
COOK & CHILL

Specific model
CBC-051 230V 1N 50Hz

19089773

27/07/2022

DENOMINATION:

Blast chiller and freezer Concept with 5 levels for GN-1/1 trays, 5 levels for 60X40 trays and at 50Hz.

DESCRIPTION :

- Fully injected compact structure.
- Incorporates stainless steel support-guides.
- 60 mm injected polyurethane insulation (except models 031, 35 mm). Density of 40 kg. CFC-free.
- Hermetic compressor with ventilated condenser.
- Ecological refrigerant R-452A CFC-free.
- Easy-to-use capacitive control panel, ECO type.
- Refrigeration and freezing blast chilling cycles, configurable to be managed by time or temperature probe placed in the core of the food (If the probe is not used, the cycle is automatically managed by time).
- The duration of the abatement cycles by means of time management is as follows:
 - Refrigeration cycles: 90 minutes.
 - Freezing cycles: 240 minutes.
- At the end of the cycle, the blast chiller operates as a refrigeration cabinet, maintaining the temperature between +2 and +4 °C, or as a frozen maintenance cabinet, below -18 °C.
- They have an unheated temperature probe.
- Automatic evaporation of condensation water without the need for electrical energy.

POSSIBLE OPTIONS :

- Wheels Kit (Factory Assembly)
- British plug
- Opposite Opening

DIMENSIONS



X Width	790 mm	X Gross width	895 mm
Y Depth	700 mm	Y Gross depth	810 mm
Z Height	850 mm	Z Gross height	1065 mm
Net Weight	101,0 kg	Gross Weight	105,0 kg
Net volume	0,470 m3	Gross volume	0,772 m3

ELECTRICITY TECHNICAL SPECIFICATIONS

Electric power	1,100 kW
Amperage (A)	5,5A
Voltage	230V - 1N
Electric frequency	50Hz

GAS TECHNICAL SPECIFICATIONS

Gas type	R-452A
----------	--------

COLD TECHNICAL SPECIFICATIONS

Refrigeration power	0,650 kW
Climate class	5
Cooling gas load	600,000 g

OTHERS

Condensation system	Vent.
---------------------	-------

TECHNICAL FEATURES

Number of trays	5
-----------------	---



Catalogue
FOOD SERVICE
Chapter
COOK & CHILL

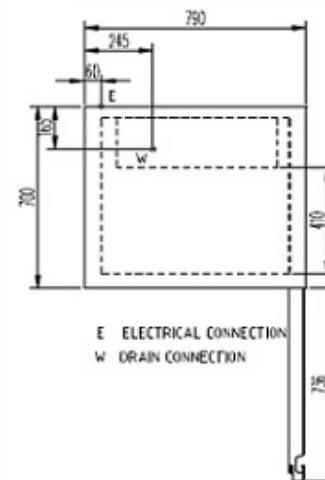
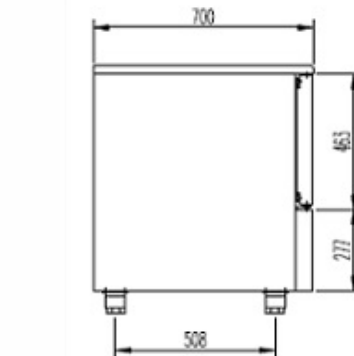
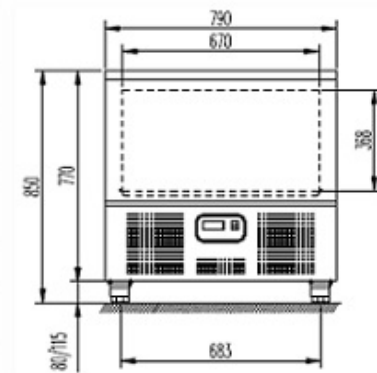
Specific model
CBC-051 230V 1N 50Hz

19089773

27/07/2022

MODELO / MODEL		051 ECO FAG.
Dimensiones Exteriores External Dimensions	mm	790x700x850
Dimensiones Interiores Internal Dimensions	mm	670x410x380
Tipo Abatidor Type Blast Chiller		Mixto
Capacidad GN Capacity GN	nº	5 GN1/1
Capacidad EN Capacity EN	nº	5 EN
Separacion entre bandejas Interstep trays	mm	65
Espesor aislamiento Thickness	mm	60
Medidas hueco puerta door opening measures	mm	670x368
Refrigerante Refrigerant	Gas	R404A
Ciclo refrigeración Chilling cycle	90' °C	+90/+3
Ciclo Congelación Freezing cycle	240' °C	+90/-18
Capacidad Abatimiento (EN17032) Chilling capacity	120' Kg	18
Capacidad Congelación (EN17032) Freezing capacity	270' Kg	10
Grupo frigorifico Refrigeration Unit	°C	Incorporado
Alimentación electrica Electric Power supply	V/~-Hz	230/1/50
Intensidad Maxima Max. Absorbed current	A	5,5
Potencia Frigorifica Capacity refrigeration	W	650
Potencia electrica Input electric Power	W	1100
Forma entrada bandeja Input tray	mm	530
Volumen bruto exterior Total Volume external	m³	0,79
Volumen interior neto Net Volume internal	m³	0,09
Peso Weigh	Kg	98

Capacidad según EN17032 (Refr. +65 °C à +10 °C en 120'; Cong +65 °C à -18 °C en 270')



E ELECTRICAL CONNECTION
W DRAIN CONNECTION