



*TB 852 HC*

# LIST OF THE EXPLODED VIEWS



*SHELL ASSY*

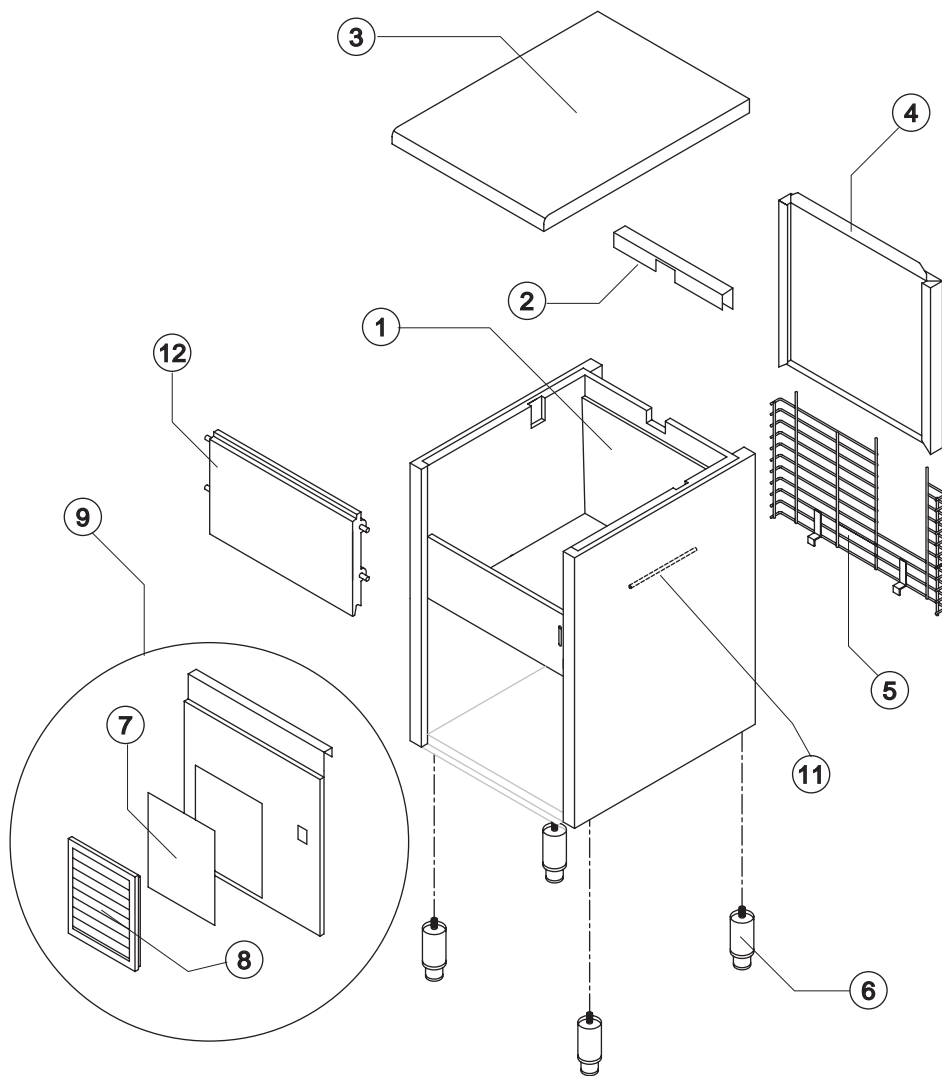
*COOLING SYSTEM*

*EVAPORATOR*

*HYDRAULIC CIRCUIT*

*ELECTRIC PARTS*

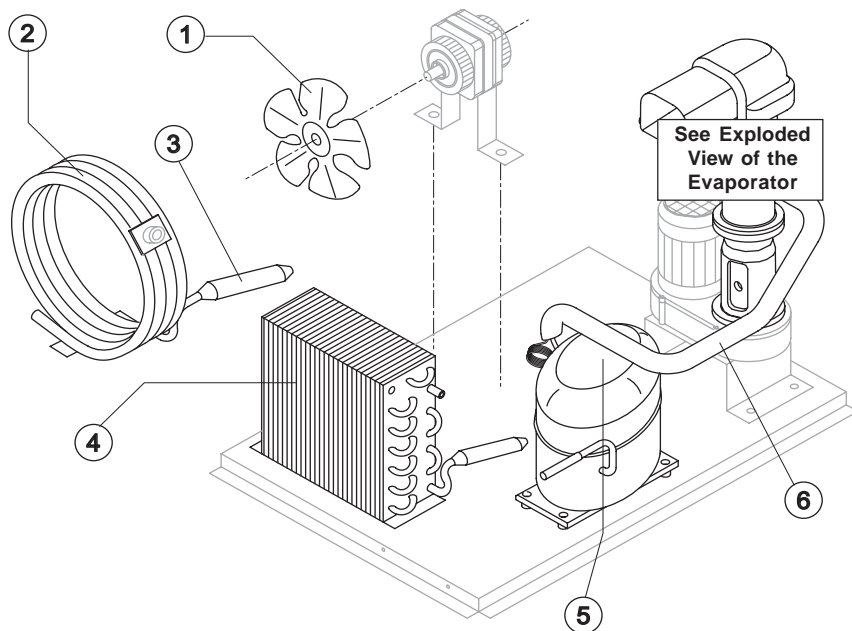
Rev. 02 - 12/03/2019



Ref.	Spare Description	Code
1	Foamed Cabinet Assy	See Table
2	Cover for Ice Exhaust	221385
3	Top Assembly	C22689
4	Rear Panel Assembly	C21215
5	Rear Grid	D12014
6	Adjustable Stainless Steel Foot	20613
7*	Filtering Panel	18106
8	Frame + Grid & Filter	C10205
9	Front Grid Panel	C22507
11	Bulbe-holder Pipe	20521
12	Door Assy	C10297

### Ref. 1 - Foamed Cabinet Assy

Condensation	Code
Air	C11153A
Water	C11153W



### Common Parts

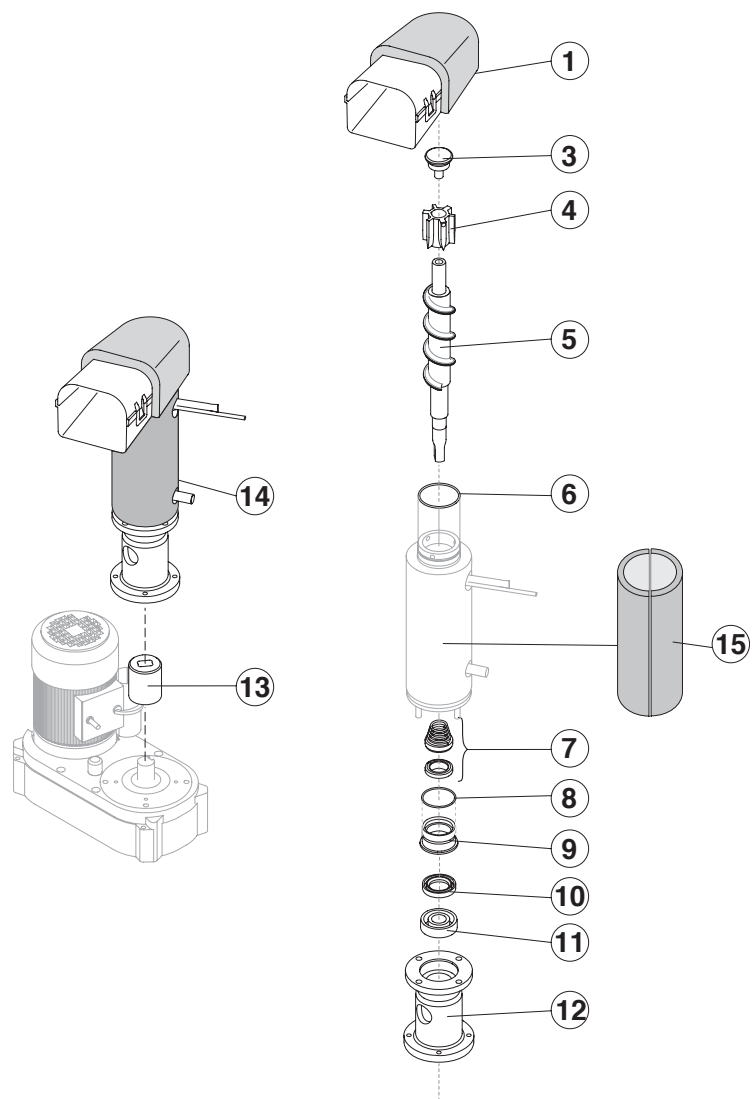
Ref.	Spare Description	Code
3*	Molecular Drier	14009
5	Compressor	231159
6	Suctin Line	for the spare parts code give us the s/n.

### Parts for Air-Cooled Version Only

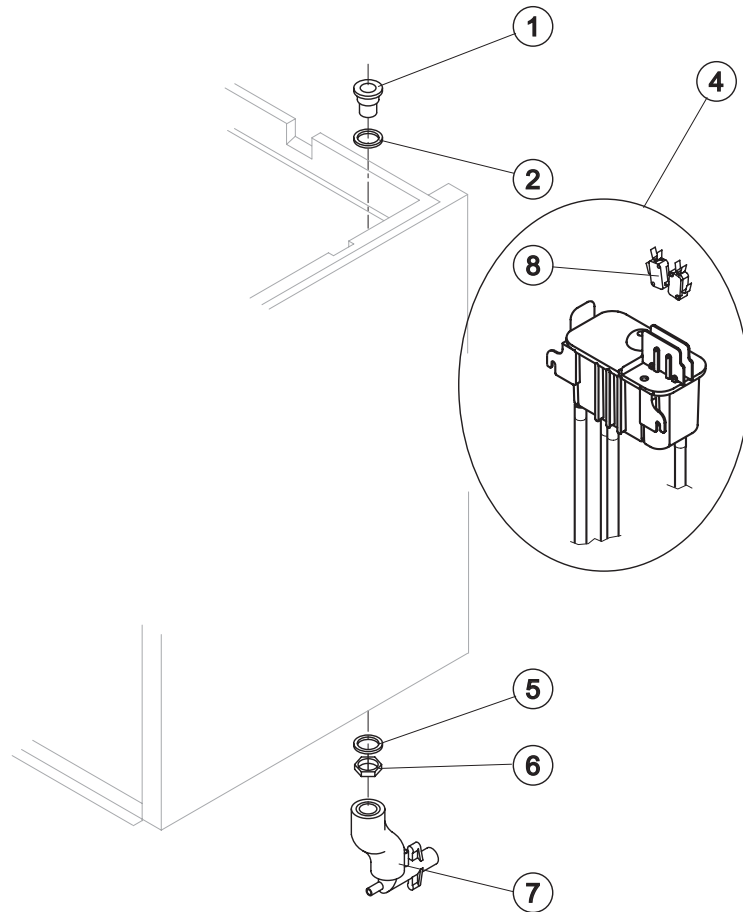
Ref.	Spare Description	Code
1	Sucking Fan	20096
4	Air Condenser	Current Version 201221
4	Air Condenser	Till s/n. 879198 201131

### Parts for Water-Cooled Version Only

Ref.	Spare Description	Code
1	Sucking Fan	10213
2	Water Condenser	14057



Ref.	Spare Description	Code
1	Ice Exhaust with insulatig cap	C10648
3	Ice Breaker	20915
4	Extruder with bearings assembly	C201001
5	Auger	201000
6	OR Gasket 4325	20987
7	Ceramic Seal	20937
8	OR Gasket 3162 mat. NBR70	20429
9	Reduction Ring	20785
10	Seal Ring	20985
11	Bearing	20917
12	Flange	20916
13	Joint	D20630
14	Evaporator Assy	C11174
15	Insulating Cap	18205



### Common Parts

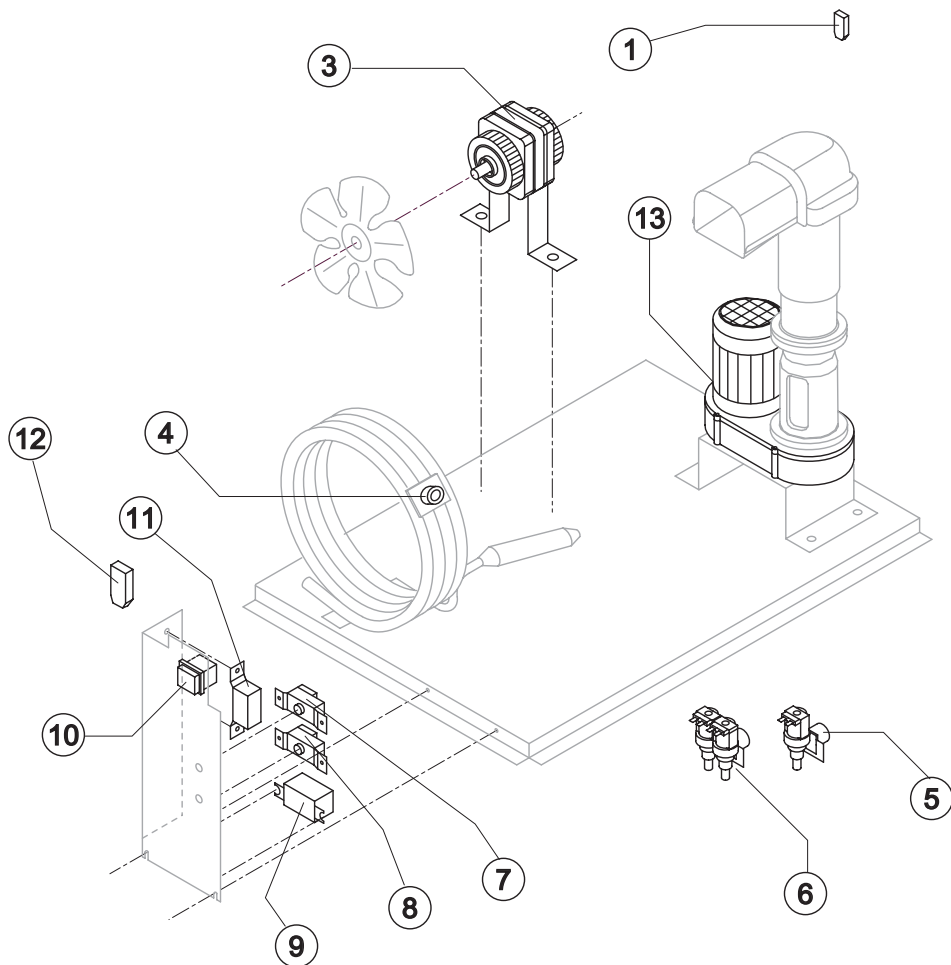
Ref.	Spare Description	Code
1	Water Outlet Nipple	10472
2	Silicone Gasket	13219
4*	Double Switch Basin Assembly	C10708
5	Semirigid Polyethylene Gasket	13007
6	Bin Discharge Nut	10096
8	Microswitch	23055

### Parts for Air-Cooled Version Only

Ref.	Spare Description	Code
7	Discharges Manifold	C10235

### Parts for Water-Cooled Version Only

Ref.	Spare Description	Code
7	Discharges Manifold	C10240



### Common Parts

Ref.	Spare Description	Code
1	Anti Radio Interference Filter	C23457
7*	Bin Thermostat	R23005
8*	Evaporator Thermostat	R23591
9*	Relay	23190
10*	Green Light Switch (On-Off)	23327
11*	Fan cycle switch	231123
12	Anti Radio Interference Filter	C23459
13	Gearmotor	231060

### Parts for Air-Cooled Version Only

Ref.	Spare Description	Code	
3*	Fan Motor	Current Version	23029
3*	Fan Motor	Till s/n. 879198	231041
5*	1 Way- Water Inlet Valve		23115

### Parts for Water-Cooled Version Only

Ref.	Spare Description	Code	
3*	Fan Motor		23029
4*	Safety Thermostat		C23114
6*	2 Ways- Water Inlet Valve		23116