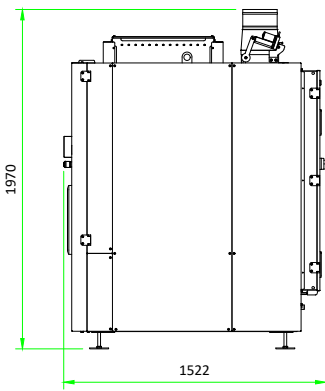
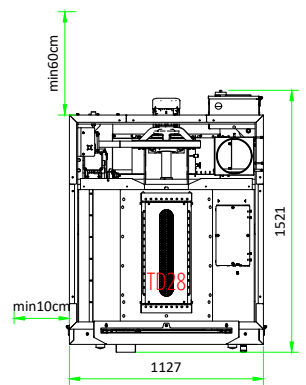
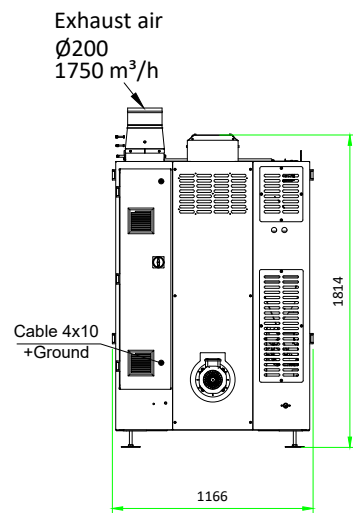
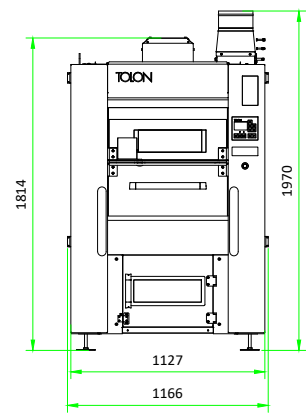
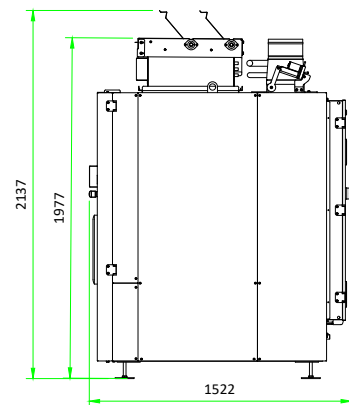
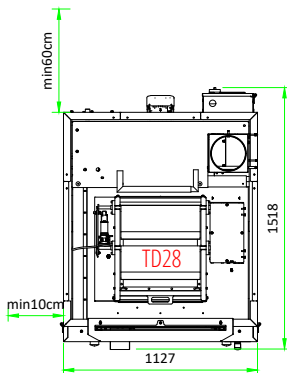
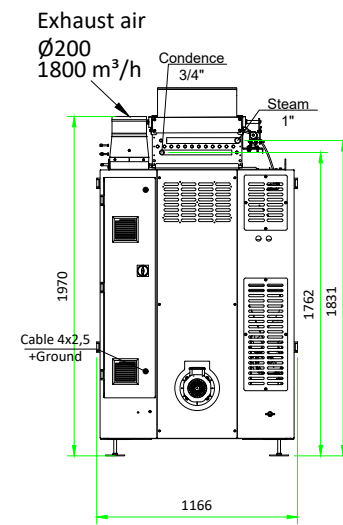
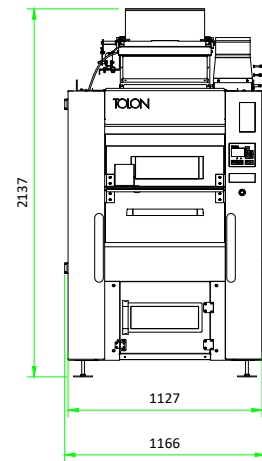


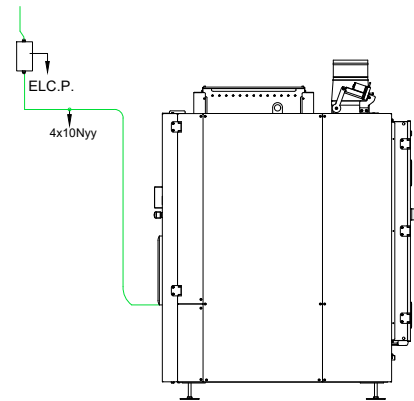
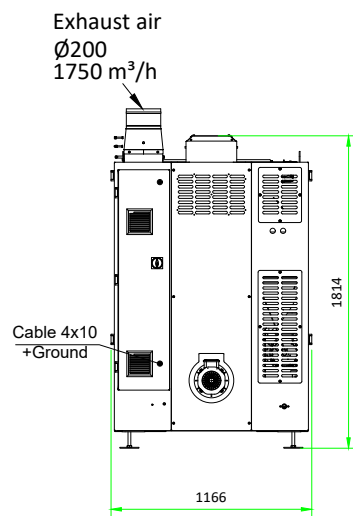
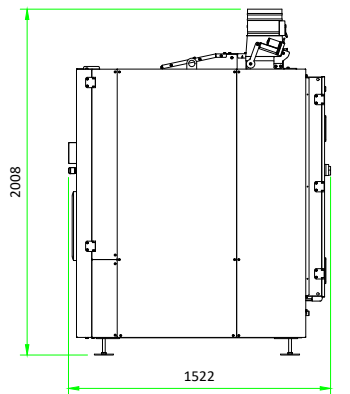
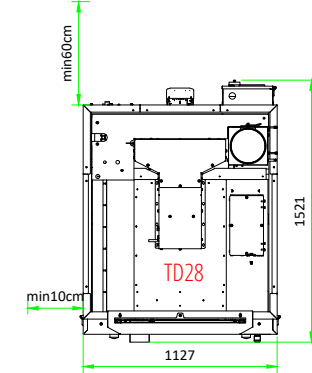
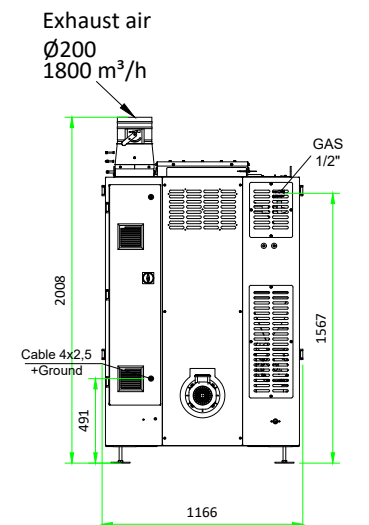
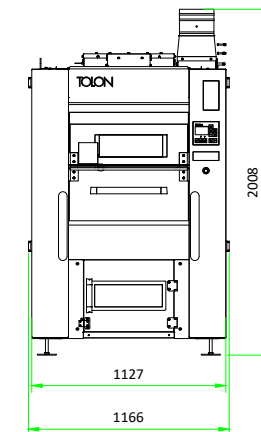
TD28 ELECTRIC HEATED



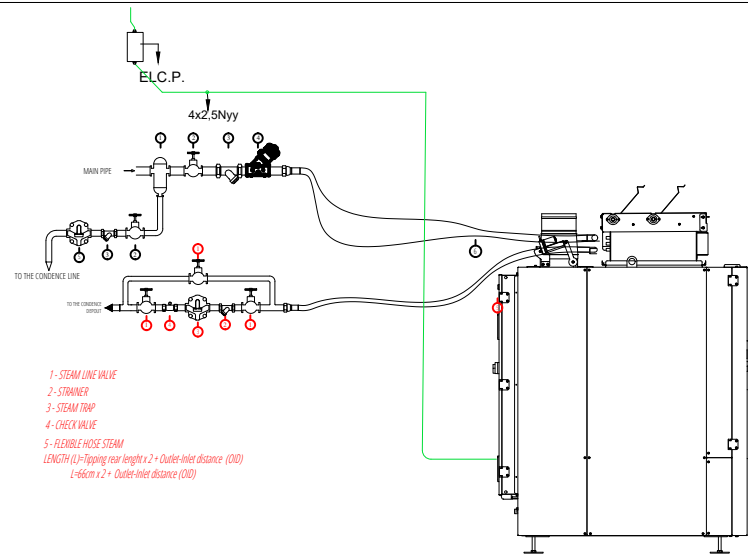
TD28 STEAM HEATED



TD28 GAS HEATED



- 1- STEAM SEPARATOR
 - 2- STEAM LINE VALVE
 - 3- STRAINER
 - 4- STEAM VALVE
 - 5- STEAM TRAP
 - 6- FLEXIBLE HOSE STEAM
- LENGTH (L) = Tapping near length x 2 + Outlet-inlet distance (OID)
L = 66cm x 2 + Outlet-inlet distance (OID)



- 1- MANOMETER
- 2- GAS VALVE
- 3- FILTER
- 4- VALVE

