



SHELL ASSY

COOLING SYSTEM

HYDRAULIC CIRCUIT

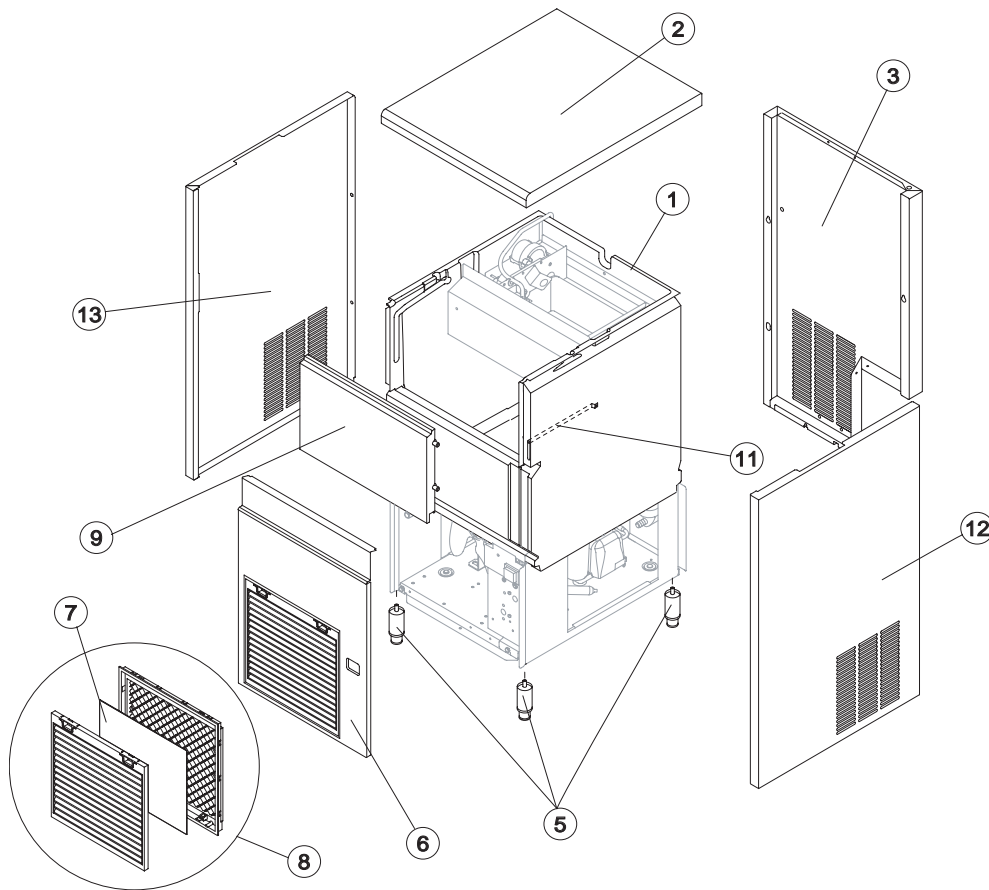
EVAPORATOR SUPPORT

ELECTRIC PARTS



IMF 35 HC

SHELL ASSY

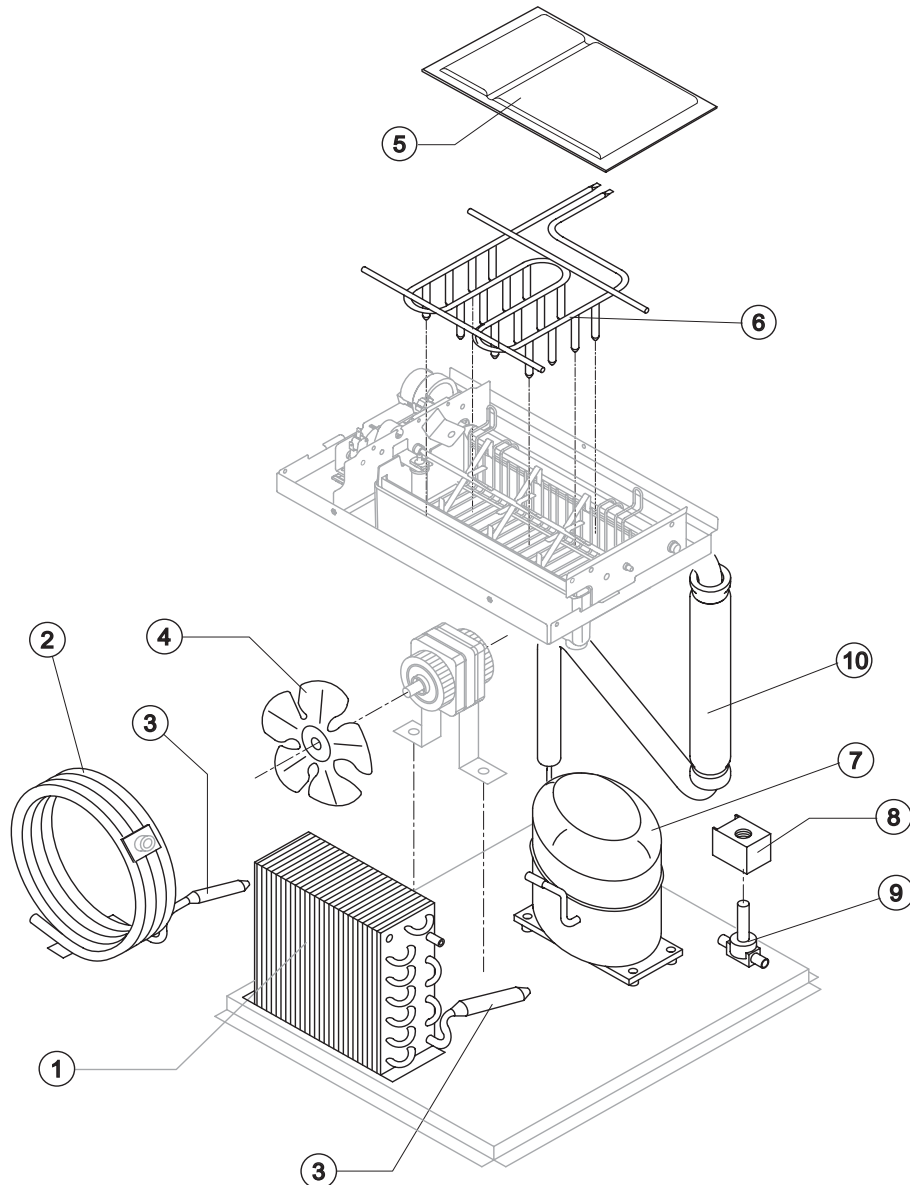


Ref.	Spare Description	Code
1	Foamed Bin Assy	C11136
2	Top Assembly	C221358
3	Rear Panel Assembly	C21383
5	Adjustable Foot	20613
6	Front Grid Panel	C221354
7*	Filtering Panel	18106
8	Frame + Grid & Filter	C10205
9	Door Assy	C10297
11	Bulbe-holder Pipe	20521
12	Right Side Panel	221416
13	Left Side Panel	221415

Rev. 02 - 12/03/2019



Rev. 02 - 12/03/2019



Common Parts

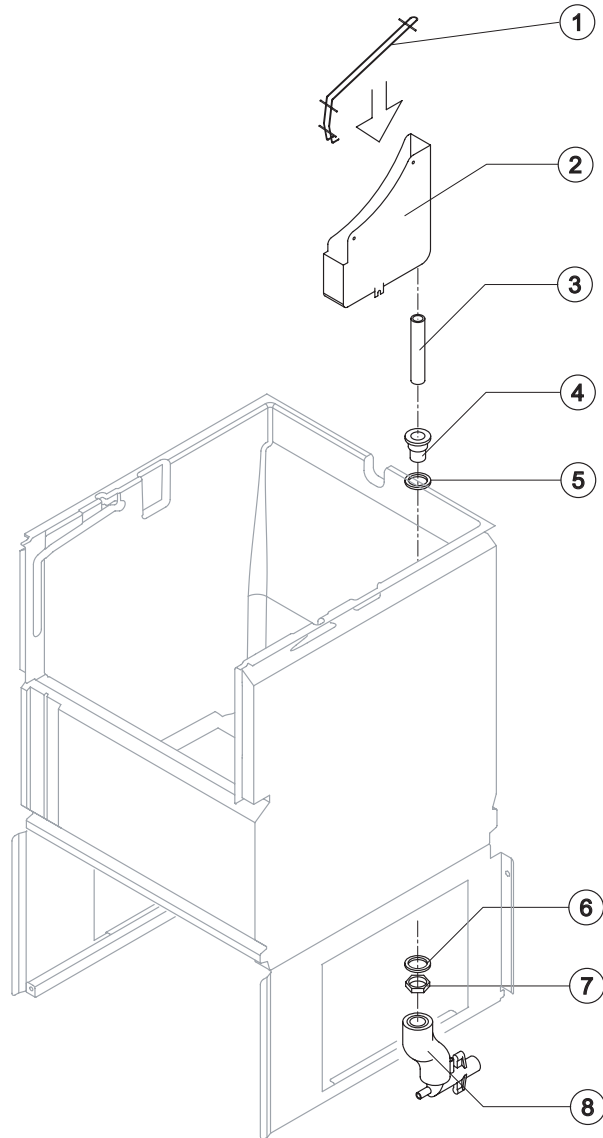
Ref.	Spare Description	Code
3*	Molecular Drier	14009
5	Evaporator Cover Panel	10487
6	Evaporator	D14689
7	Compressor	231122
8*	Hot Gas Valve Coil	231294
9*	Hot Gas Valve Body	201129
10	Suctin Line	for the spare parts code give us the s/n.

Parts for Air-Cooled Version Only

Ref.	Spare Description	Code
1	Air Condenser	Current Version 201221
1	Air Condenser	Till s/n. 882354 201131
4	Sucking Fan	20096

Parts for Water-Cooled Version Only

Ref.	Spare Description	Code
2	Water Condenser	14014



Common Parts

Ref.	Spare Description	Code
1	Water Collecting Basin Slide	12072
2	Water Collecting Basin	10456
3*	Basin water collecting drain pipe	13158
4	Water Outlet Nipple	10472
5	Silicone Gasket	13219
6	Semirigid Polyethylene Gasket	13007
7	Bin Discharge Nut	10096

Parts for Air-Cooled Version Only

Ref.	Spare Description	Code
8	Discharges Manifold	C10006

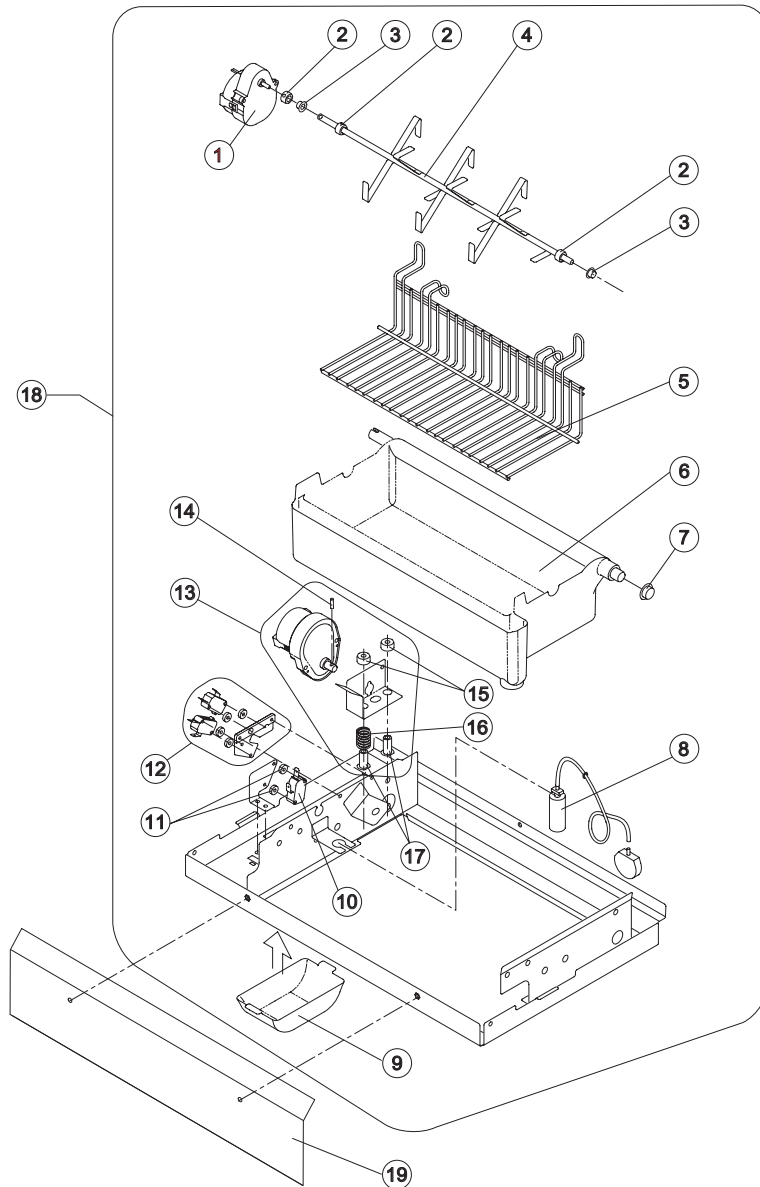
Parts for Water-Cooled Version Only

Ref.	Spare Description	Code
8	Discharges Manifold	C26452



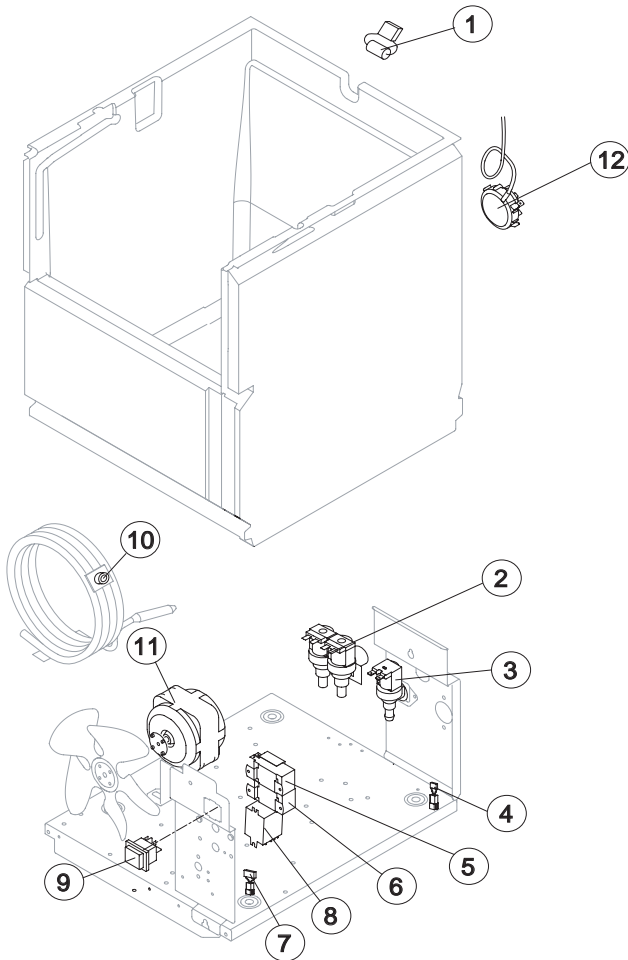
IMF 35 HC

EVAPORATOR SUPPORT



Ref.	Spare Description	Code
1*	Gearmotor (Paddles)	23937
2	Shaft Stop Ring	20227
3	Self-Lubricating Bush 06/06	20230
4*	Shaft with Paddles	20966
5	Internal Slide Bin	12086
6*	Water Basin with Pivot	C10589
7	Self-Lubricating Bush 12/07	20231
8*	Air Trap with Pipe	C10537
9	Gearmotor (Paddles) Protection	10483
10*	Microswitch (Paddles - NO)	23804
11	Switch Shimming Ring	10250
12*	2 Microswitches (Basin - NC) Support Assembly	C26747
13*	Gearmotor (Turnover Basin) with support Assy	C26746
14	Shaft Pin for Gearmotor (Turnover Basin)	20814
15	Special Ring	20808
16	Spring (Gearmotor Support)	20809
17	Threaded Pivot	20807
18	Evaporator Support Plate Assembly	C221175
19	Front Basin Cover	221204

Rev. 02 - 12/03/2019



Common Parts

Ref.	Spare Description	Code
1*	Capacitor 0,12 μ F	Current Version 231336
1*	Capacitor 0,068 μ F	Till s/n. 943579 23798
4	Anti Radio Interference Filter	C23458
5*	Condenser Pressure Switch	231123
6*	Bin Thermostat	R23005
8*	Relay	23190
9*	Green Light Switch(On-Off)	23327
12*	Water Level Pressure Switch	23870

Parts for Air-Cooled Version Only

Ref.	Spare Description	Code
3*	1 Way- Water Inlet Valve	23220
7	Anti Radio Interference Filter	C23459
11*	Fan Motor	Current Version 23029
11*	Fan Motor	Till s/n. 882354 231041

Parts for Water-Cooled Version Only

Ref.	Spare Description	Code
2*	2 Ways- Water Inlet Valve	23501
7	Anti Radio Interference Filter	C23457
10*	Safety Thermostat Switch	C23114