



Catalogue
FOOD SERVICE
Chapter
COOKING

Specific model
CP-E7240 400V 3N

19074780

04/09/2023

DENOMINATION:

Electric pasta cooker, 2 wells of 40 L, 700 range.

DESCRIPTION :

- Surface tops manufactured in 1.5 mm thick AISI-304 stainless steel.
- Laser-cut joints, automatic welding and polishing. Hidden screws.
- 1.5 mm thick AISI-316L stainless steel wells built into the surface top.
- The well is filled through the inlet solenoid valve with a two-position switch: average and high-speed filling.
- Well drainage through a mechanical ball valve which is resistant to high temperatures and has a safety overflow.
- Automatic safety system to stop the current if the water runs out.
- Controls with a protective support base and system to prevent water infiltration.
- Machines with IPX5 grade water protection."
- GN-1/1 wells, with 40 litre capacity (they can be used with different positions of baskets of different sizes).
- GN-1/1 wells, with 40 litre capacity (they can be used with different positions of baskets of different sizes).

POSSIBLE OPTIONS :

- 230 1N- Transformation A 230 V single phase
- 230 III - A 230 V three-phase transformation without neutral
- MARINE - Other machines - Ship transformation - 440 III

POSSIBLE ACCESSORIES :

- COOKING
- KORE WHEELS
- PASTA COOKER ACCESSORIES KORE
- TALL CHIMNEY KORE

SUPPLIED ACCESSORIES:

- 12008637 GN 1/3 cooking basket 6

DIMENSIONS



| | | | |
|------------|----------|----------------|----------|
| X Width | 800 mm | X Gross width | 840 mm |
| Y Depth | 730 mm | Y Gross depth | 822 mm |
| Z Height | 850 mm | Z Gross height | 1255 mm |
| Net Weight | 80,0 kg | Gross Weight | 98,0 kg |
| Net volume | 0,500 m3 | Gross volume | 0,867 m3 |

ELECTRICITY TECHNICAL SPECIFICATIONS

| | |
|--------------------|-----------|
| Electric power | 24,000 kW |
| Amperage (A) | 34,8A |
| Heating power | 24,00 kW |
| Voltage | 400V - 3N |
| Electric frequency | 50/60Hz |

WATER TECHNICAL SPECIFICATIONS

| | |
|-----------------------|-------------------------|
| Pressure | H2O: 200-400kPa(2-4bar) |
| Water max consumption | 0,00 L/h |

CONNECTIONS TECHNICAL SPECIFICATIONS

| | |
|----------------------------|------------|
| 230 V three-phase wiring | 3X16MM2+T |
| Single-phase 230V wiring | 2X35MM2+T |
| Three-phase +N 400V wiring | 3X6MM2+T+N |
| Water inlet diameter | 3/4" |
| Drain 1 diameter | 1" |



Catalogue
FOOD SERVICE
Chapter
COOKING

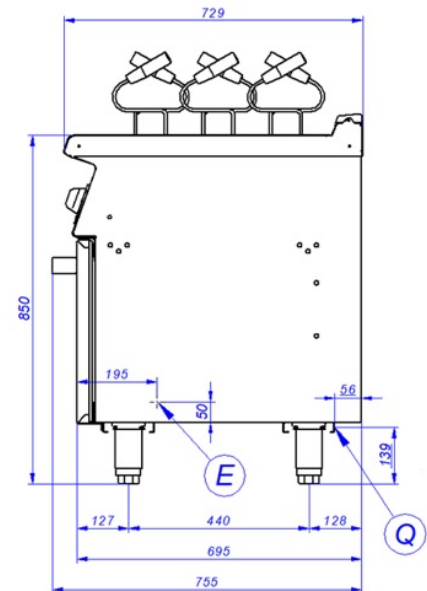
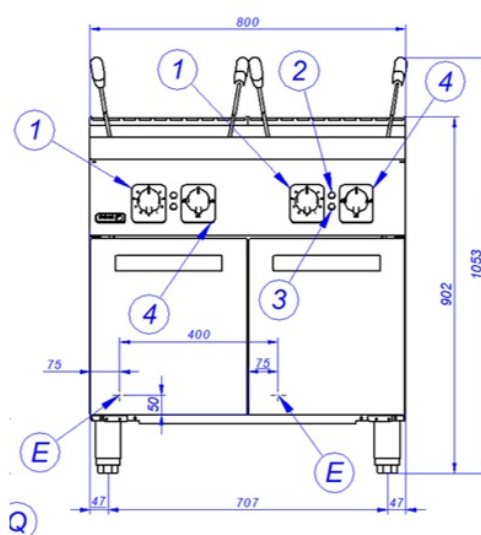
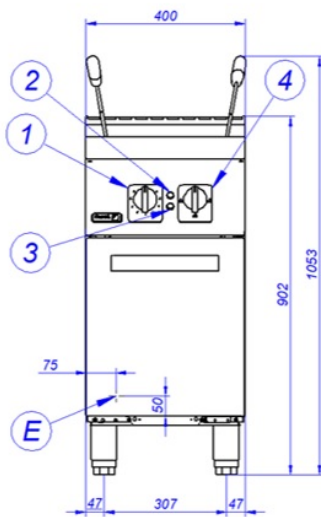
Specific model
CP-E7240 400V 3N

19074780

04/09/2023

CP-E7140

CP-E7240



E – Conexión eléctrica

Electrical connection

Connexion électrique

Q – Conexión equipotencial

Equipotential connection

Connexion équipotential

1 – Mando termostato

Thermostat control

Commande de thermostat

2 – Piloto verde

Green pilot

Lumière verte

3 – Piloto ámbar

Ambar pilot

Lumière ambre

4 – Mando entrada agua

Water control

Commande d'entrée d'eau