



SHELL ASSY

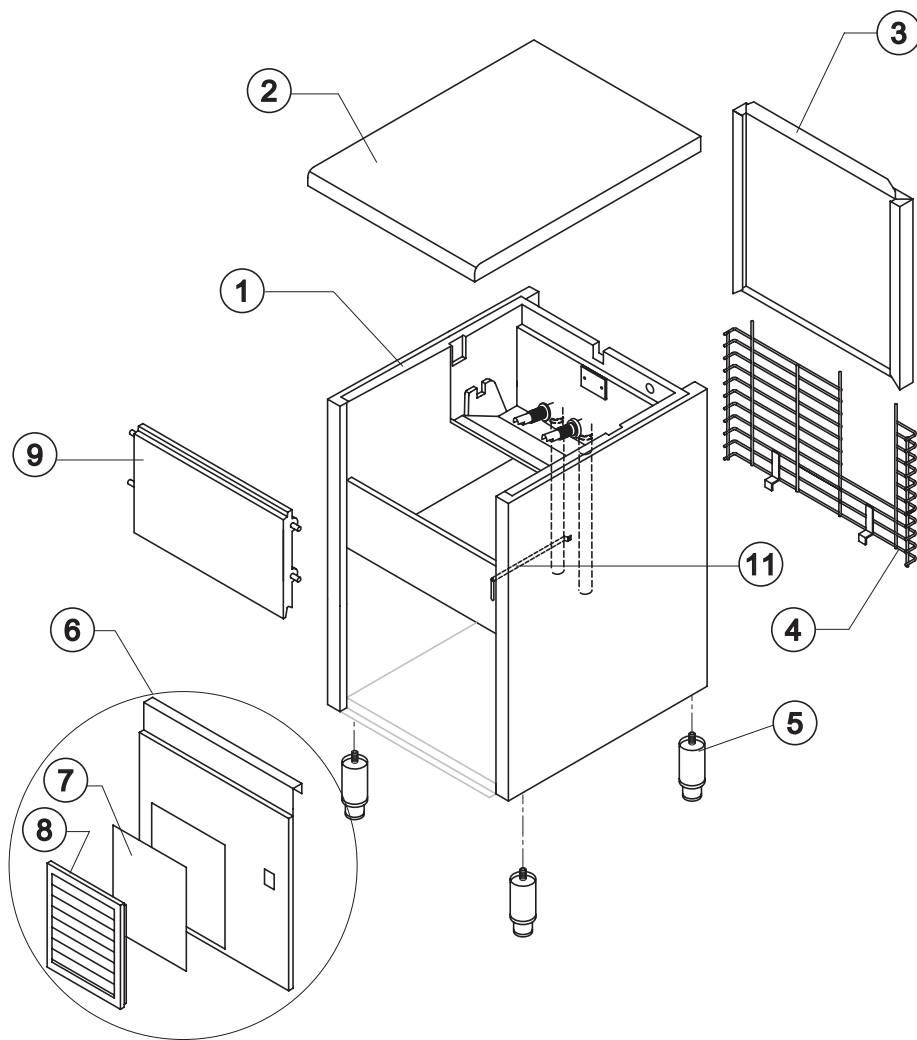
SHELL ASSY DP

COOLING SYSTEM

HYDRAULIC CIRCUIT

HYDRAULIC CIRCUIT DP

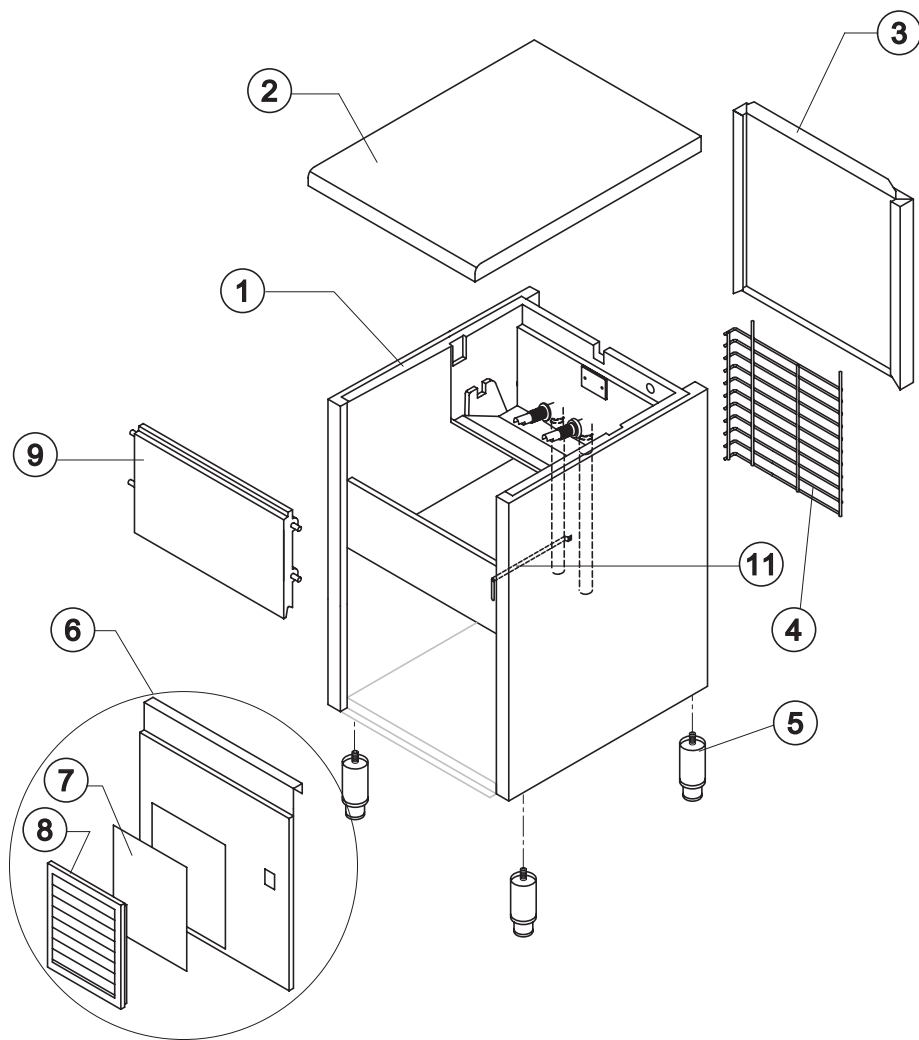
ELECTRIC PARTS



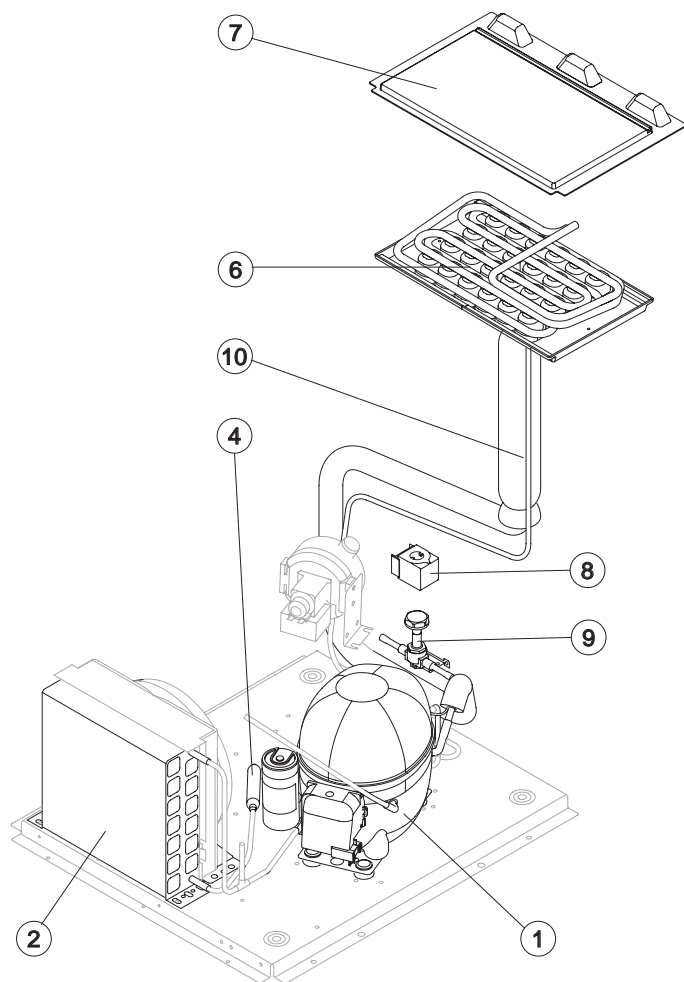
Ref.	Spare Description	Code
1	Foamed Cabinet Assy	C11228A
2	Top Assembly	C22692
3	Rear Panel Assembly	C21183
4	Rear Grid	D12006
5	Adjustable Foot	20613
6	Front Grid Panel	C221670
7*	Filtering Panel	18106
8	Frame + Grid & Filter	C10205
9	Door Assembly	C10297
11	Bulb-holder Pipe	20522



SHELL ASSY DRAIN PUMP VERSION

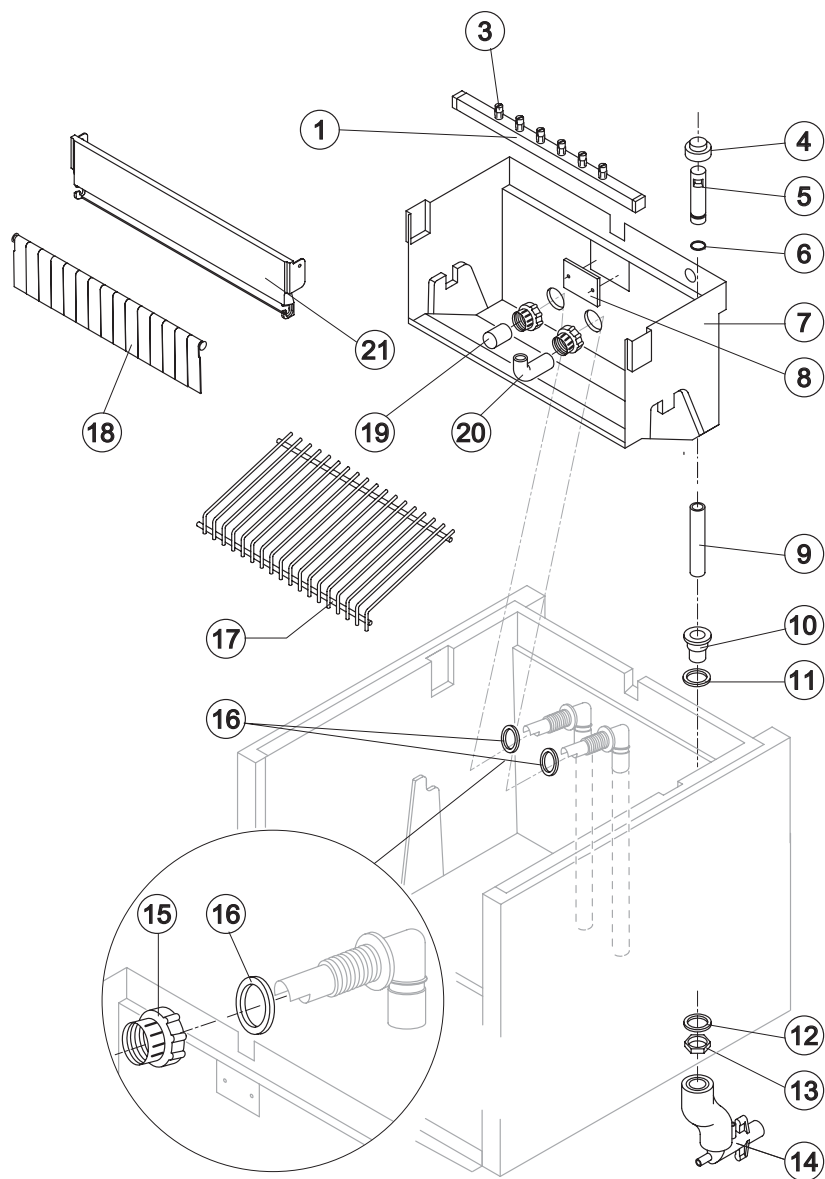


Ref.	Spare Description	Code
1	Foamed Cabinet Assy	C11228DP
2	Top Assembly	C22692
3	Rear Panel Assembly	C21183
4	Rear Grid	D12101
5	Adjustable Foot	20613
6	Front Grid Panel	C221670
7*	Filtering Panel	18106
8	Frame + Grid & Filter	C10205
9	Door Assembly	C10297
11	Bulb-holder Pipe	20522



Ref.	Spare Description	Code
1	Compressor	231427
2	Air Condenser	201238
4*	Molecular Drier	14009
6	Evaporator	D10894
7	Evaporator Cover Panel	10449
8*	Hot Gas Valve Body	231294
9*	Hot Gas Valve Coil	201129
10	Suctin Line	for the spare parts code give us the s/n.

Rev. 01 - 03/09/2020

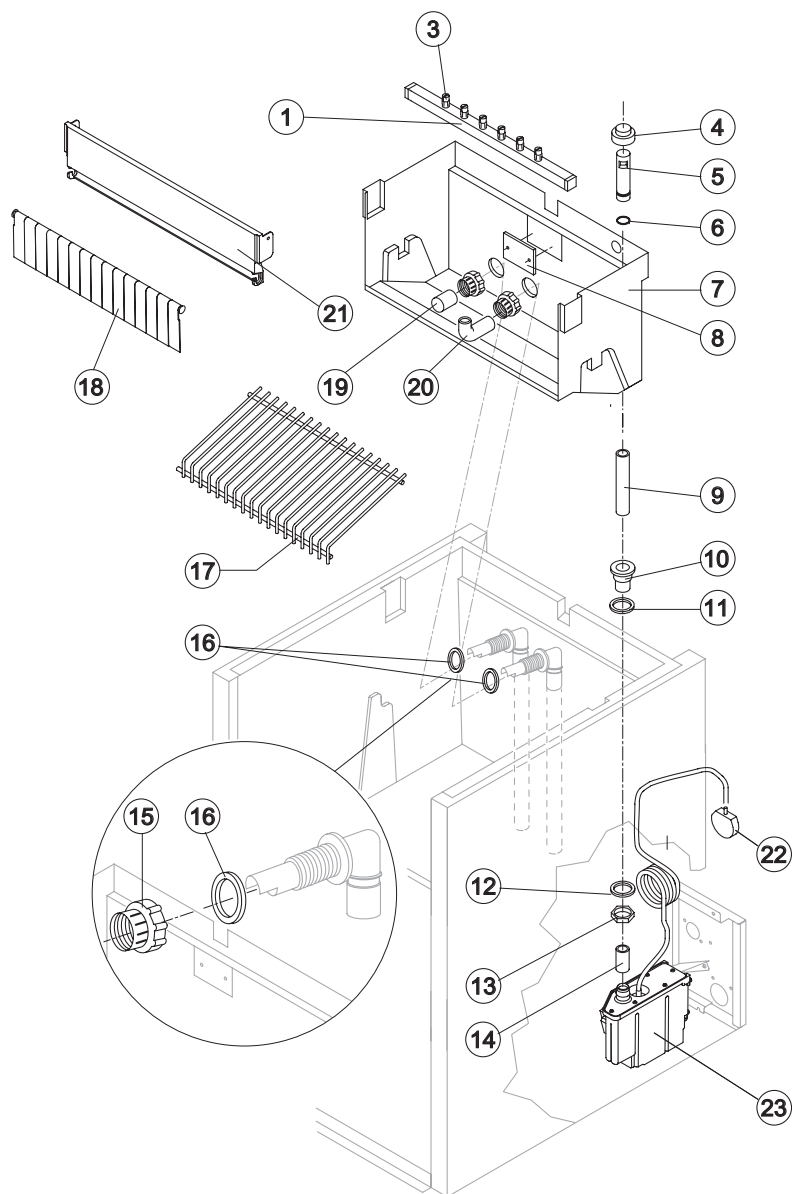


Ref.	Spare Description	Code
1*	Sprayers Bar Assembly	C201255
3	Sprayer	D20002
4*	Overflow Cap	10305
5*	Overflow Pipe	10133
6*	OR Gasket for Overflow Pipe	20233
7	Inner Basin	10253
8	Slide Keep Plate	10009
9*	Overflow Pipe	13108
10	Water Outlet Nipple	10472
11	Silicone Gasket	13219
12	Semirigid Polyethylene Gasket	13007
13	Bin Discharge Nut	10096
14	Discharges Manifold	C10006
15	Fittings Locking Ring	10405
16	Gasket for Pump Suction/Delivery Pipes	13220
17	Ice Cubes Slide	D12137
18	Rod with Flags	10534
19*	Pump Suction Filter	20005
20	Sprayers Feeding Pipe	13005
21	Flags ABS Support	10526



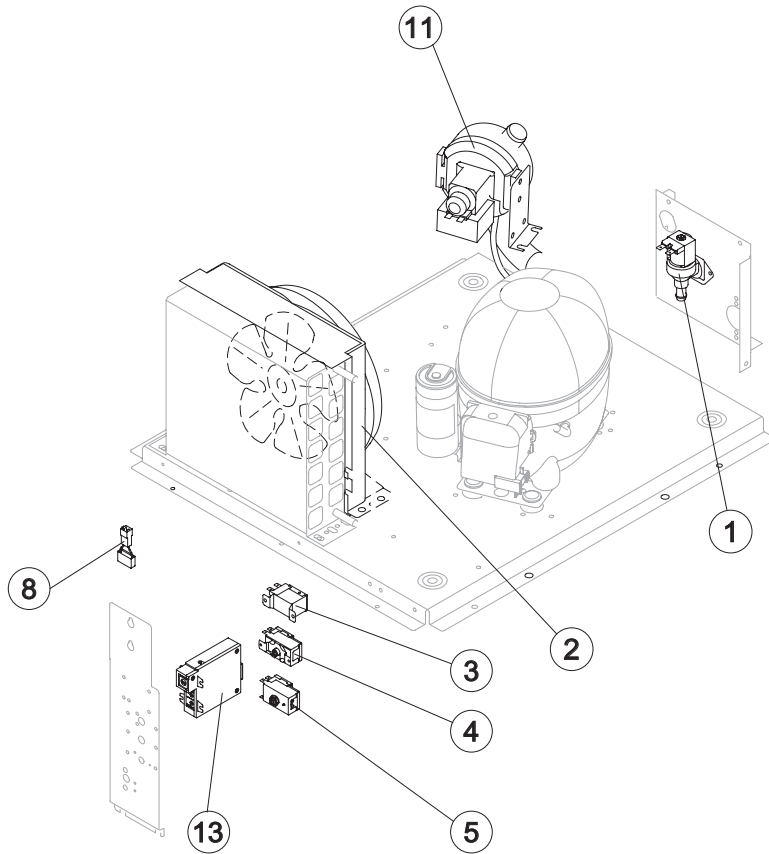
CB 425A HC B-Qube

HYDRAULIC CIRCUIT DRAIN PUMP VERSION



Ref.	Spare Description	Code
1*	Sprayers Bar Assembly	C201255
3	Sprayer	D20002
4*	Overflow Cap	10305
5*	Overflow Pipe	10133
6*	OR Gasket for Overflow Pipe	20233
7	Inner Basin	10253
8	Slide Keep Plate	10009
9*	Overflow Pipe	13108
10	Water Outlet Nipple	10472
11	Silicone Gasket	13219
12	Semirigid Polyethylene Gasket	13007
13	Bin Discharge Nut	10096
14	Bin Discharge-Drain Pump Connection	C13175100
15	Fittings Locking Ring	10405
16	Gasket for Pump Suction/Delivery Pipes	13220
17	Ice Cubes Slide	D12137
18	Rod with Flags	10534
19*	Pump Suction Filter	20005
20	Sprayers Feeding Pipe	13005
21	Flags ABS Support	10526
22	Water level pressure switch assy	C231230
23	Drain Pump	RC231225

Rev. 01 - 03/09/2020



Ref.	Spare Description	Code
1*	1 Way- Water Inlet Valve	23115
2	Fan Motor + grid + conveyor Assembly	231324
3*	Fan cycle switch	231123
4*	Bin Thermostat	23005
5*	Evaporator Thermostat	23591
8	Anti Radio Interference Filter	C23459
11*	Pump Assy	C231016
13	Electronic Timer / On-Off (AWS)	R231154