



**Catalogue**  
FOOD SERVICE  
**Chapter**  
COOKING

**Specific model**  
FT-E705 C L 400V 3N 50/60Hz

19101116

04/09/2023

**DENOMINATION:**

Electric frytop with thermostatic temperature control, chrome surface ribbed hot-plate, half module, 700 range.

**DESCRIPTION :**

"- Stamped surface tops manufactured in 1.5 mm thick AISI-304 stainless steel.

- Laser-cut joints, automatic welding and polishing. Hidden screws.

- Rapid reaction and recovery times of the fry-top temperature.

- The fry tops are welded to the stamped surface top.

- The stamped shell and its rounded edges

and corners make cleaning much easier.

- The fry top is tilted towards the front to make it easier to collect grease and liquids.

- Fitted with an opening to collect cooking grease and a tray to store

it which has capacity to store up to 2 litres

depending on the model.

- Optional anti-splash side and rear guards, easy to remove.

- High-temperature enamelled cast iron flue protector.

- Access to components from the front.

- Machines with IPX5 grade water protection.

"

- Model with smooth hot plates.

"- 15 mm thick mild steel fry tops which are quick-heating and high power.

- Version with 50-micron thick chrome surface for the three hot plate types."

- Electrically heated models with stainless steel heating elements; thermostatic temperature control, between 100 and 300 °C.

- Whole-module fry tops have two separate heating areas.

**POSSIBLE OPTIONS :**

- 230 1N- Transformation A 230 V single phase

- 230 III - A 230 V three-phase transformation without neutral

- MARINE - Other machines - Ship transformation - 440 III

**POSSIBLE ACCESSORIES :**

- ACCESSORIES KORE

- STANDS 700

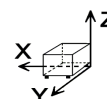
- FRY-TOP ACCESSORIES KORE

- TALL CHIMNEY KORE

**SUPPLIED ACCESSORIES:**

- 19045083 Scraper for fry-top generación Kore 1

**DIMENSIONS**



X Width	400 mm	X Gross width	440 mm
Y Depth	730 mm	Y Gross depth	822 mm
Z Height	290 mm	Z Gross height	535 mm
Net Weight	70,0 kg	Gross Weight	83,0 kg
Net volume	0,080 m3	Gross volume	0,193 m3

**ELECTRICITY TECHNICAL SPECIFICATIONS**

Electric power	5,000 kW
Amperage (A)	7,3A
Heating power	5,00 kW
Voltage	400V - 3N
Electric frequency	50/60Hz

**CONNECTIONS TECHNICAL SPECIFICATIONS**

230 V three-phase wiring	3X2,5MM2+T
Single-phase 230V wiring	2X4MM2+T
Three-phase +N 400V wiring	3X1,5MM2+T+N



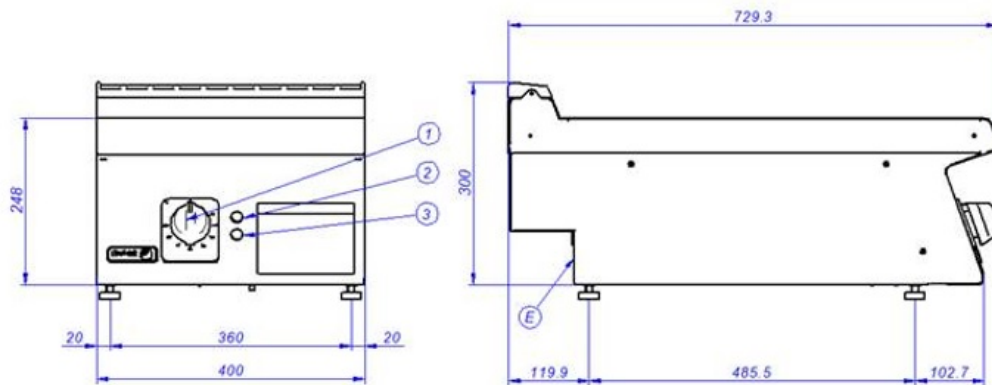
**Catalogue**  
FOOD SERVICE  
**Chapter**  
COOKING

**Specific model**  
FT-E705 C L 400V 3N 50/60Hz

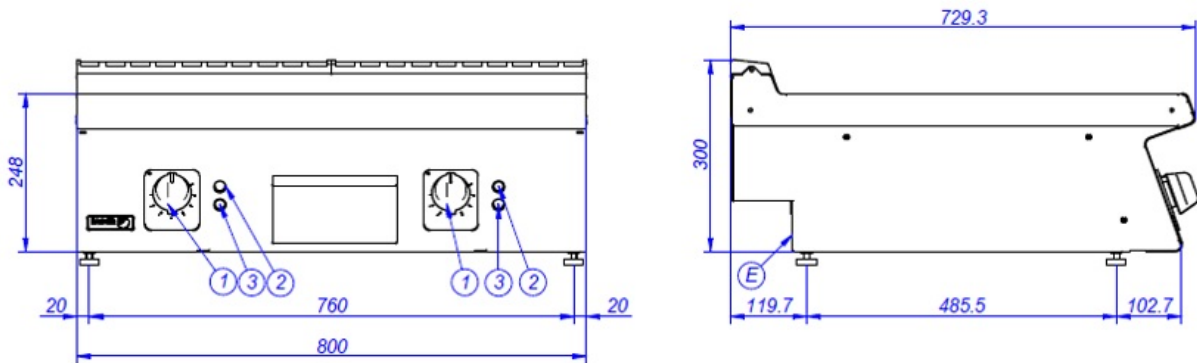
19101116

04/09/2023

### **FT-E705**



### **FT-E710**



E – Conexión eléctrica  
1 – Mando termostato  
2 – Piloto verde  
3 – Piloto ámbar

Electrical connection  
Thermostat control  
Green pilot  
Ambar pilot

Connexion électrique  
Commande de thermostat  
Lumière verte  
Lumière ambre