



**Catalogue**  
FOOD SERVICE  
**Chapter**  
DISHWASHING

**Specific model**  
CO-402 COLD B DD 220-240V 1N 50Hz

19075254

11/06/2024

**DENOMINATION:**

Glasswasher with electronic control for 400 mm basket with cold rinse, built-in drain pump and detergent doser

**DESCRIPTION :**

- Front-loading glass washers - EVO Generation.
- Constructed in stainless steel.
- Door with double wall.
- Double rotating wash and rinse system, top and bottom, in stainless steel.
- Rounded tank to facilitate washing and drainage.
- Stainless steel armoured heating elements in the wash tank and rinse boiler.
- Thermostatic control of temperatures (wash, 60°C, and rinse, 85°C).
- Safety thermostat
- Rinse aid doser incorporated.
- Fitted with non-return valve.
- 260 W wash pump
- Water consumption per 2.2 litre cycle.
- Magnetic safety stop switch in door opening.
- IPX4 anti-humidity protection.
- Model with electronic control and display of temperature, functions and errors.
- Electronic programmer with help system for technical service.
- Model for 400 x 400 mm baskets.
- 90s - 120s – 180s wash cycles and maximum production of 40 baskets/hour.
- Useful internal height of 270 mm.
- Tank with volume of 15 litres, with 2 kW heating element.
- Boiler with volume of 4 litres, with 2.8 kW heating element.
- Thermal stop system which guarantees a rinse temperature of 85°C. Standard factory setting disabled.
- Push button for an optional cold rinse at the end of the cycle.
- Built-in drain pump - power 30 W - Drainage cycle
- Built-in detergent doser

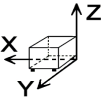
**POSSIBLE ACCESSORIES :**

- BASKETS FOR DISHWASHERS
- BASKETS FOR GLASSES
- WATER SOFTENERS
- STANDS EVO
- STANDS

**SUPPLIED ACCESSORIES:**

- 19000792 Cutlery basket for 15 pieces of cutlery, 105x105x130 mm. 1
- 19082432 Glass basket, 400x400x110 mm. 2
- 19084452 Insert for 11 plates, 400x400x110 mm. 1

**DIMENSIONS**



X Width	470 mm	X Gross width	530 mm
Y Depth	525 mm	Y Gross depth	680 mm
Z Height	720 mm	Z Gross height	890 mm
Net Weight	35,0 kg	Gross Weight	40,0 kg
Net volume	0,176 m3	Gross volume	0,321 m3

**ELECTRICITY TECHNICAL SPECIFICATIONS**

Engine power	0,26 kW
Electric power	3,060 kW
Amperage (A)	13,3
Heating power	2,80 kW
Voltage	220-240V - 1N
Electric frequency	50Hz

**WATER TECHNICAL SPECIFICATIONS**

Pressure	H2O: 200-400kPa(2-4bar)
Water max consumption	50,00 L/h
Maximum Temperature	Water Inlet Max Temp:60°C

**CONNECTIONS TECHNICAL SPECIFICATIONS**

Single-phase 230V wiring	2X2,5+T - 20 A
Drain 1 diameter	2"

**OTHERS**

Noise level	62,00 dB
-------------	----------



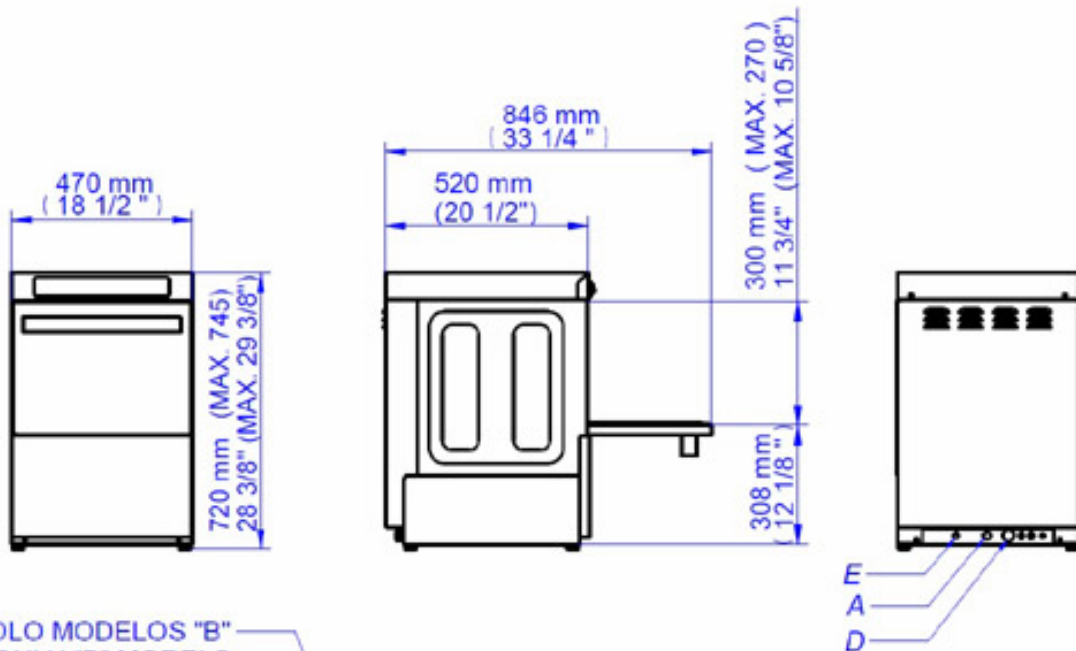


**Catalogue**  
FOOD SERVICE  
**Chapter**  
DISHWASHING

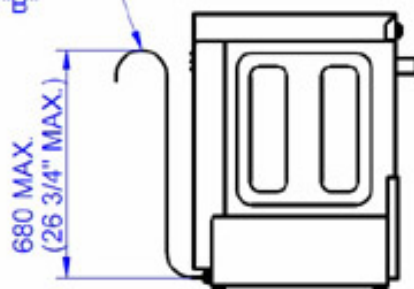
**Specific model**  
CO-402 COLD B DD 220-240V 1N 50Hz

19075254

11/06/2024



SOLO MODELOS "B"  
ONLY "B" MODELS  
SEULEMENT MODÈLES "B"



A: ENTRADA DE AGUA  
E: ALIMENTACIÓN ELÉCTRICA  
D: DESAGÜE

A: WATER INLET  
E: ELECTRICAL CONNECTION  
D: DRAIN

A: ARRIVÉE D'EAU  
E: CONNEXION ÉLECTRIQUE  
D: VIDANGE